



Two Pieces Ball Valves

1000 WOG (63 bar)

Size 1/4" – 4" (DN 10 - 100) Stainless Steel



Serie 2001

FULL BORE

Threaded according:
DIN 259/2999 (GAS)



TR Automatyka spółka z ograniczoną
odpowiedzialnością
spółka komandytowa

ul. Lechicka 14 , 02-156 Warszawa
tel.: +48 22 886 10 16,
fax: +48 22 846 50 37

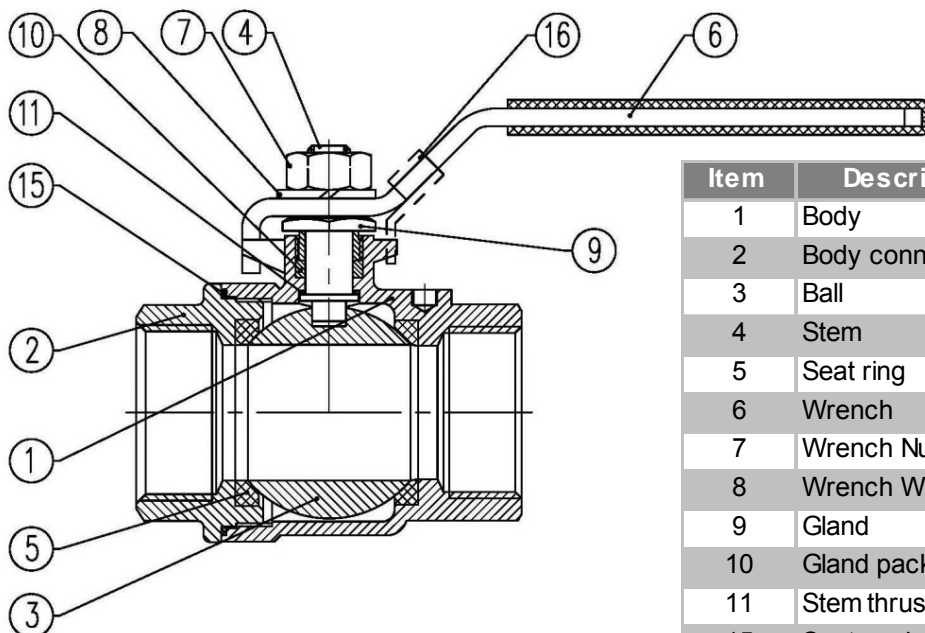
biuro@trautomatyka.pl, www.trautomatyka.pl
NIP: 522-30-22-567,

Two Pieces Ball Valves

1000 WOG (63 bar)

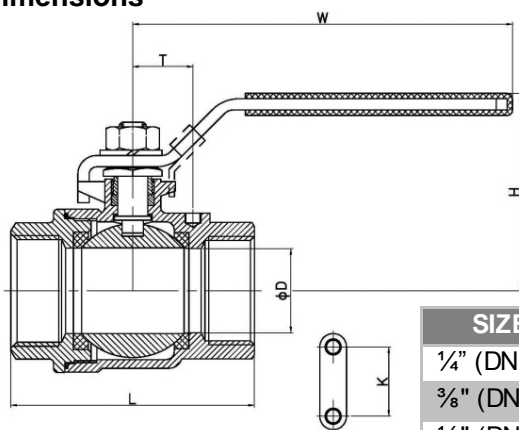
Parts and materials, Dimensions

Parts and materials



Item	Description	Material
1	Body	1.4408
2	Body connector	1.4408
3	Ball	1.4408
4	Stem	1.4401
5	Seat ring	PTFE
6	Wrench	AISI 304
7	Wrench Nut	AISI 304
8	Wrench Washer	AISI 304
9	Gland	AISI 304
10	Gland packing	PTFE
11	Stem thrust seal	PTFE
15	Seat gasket	PTFE
16	Lock device	AISI 304

Dimensions



SIZE	NPS	ØD	L	W	K	S	T	H	WEIGHT
1/4" (DN 10)	1/4"	11,6	50	91	28,5	19	12,5	48	0,195
3/8" (DN 12)	3/8"	12,5	50	91	28,5	21	12,5	48	0,205
1/2" (DN 15)	1/2"	15	58	103	28,5	25,5	13	52	0,29
3/4" (DN 20)	3/4"	20	65	111	34,8	31	21	61	0,44
1" (DN 25)	1"	25	80	126	34,8	37,5	22,5	65	0,615
1 1/4" (DN 32)	1 1/4"	32	92	154	38,1	46,5	23,5	79	1,08
1 1/2" (DN 40)	1 1/2"	38	105	154	38,1	53,5	23,5	83	1,49
2" (DN 50)	2"	50	125	191	38,1	66	23,5	97	2,56
2 1/2" (DN 65)	2 1/2"	64	155,6	244	56	84	32	129	5,04
3" (DN 80)	3"	76	183	244	56	99	35	138	8,15
4" (DN 100)	4"	94	240	315	63	130	50	175	18,4

Note:

(*) Dimensions in mm and weight in kg.

Dimensions not subject to International Standards can vary in $\pm 10\%$. ICP reserves the right to change those dimensions without notice, due to they do not affect integrity and performance of the valves.



Two Pieces Ball Valves

1000 WOG (63 bar)

Torque, Kv, P&T Rating

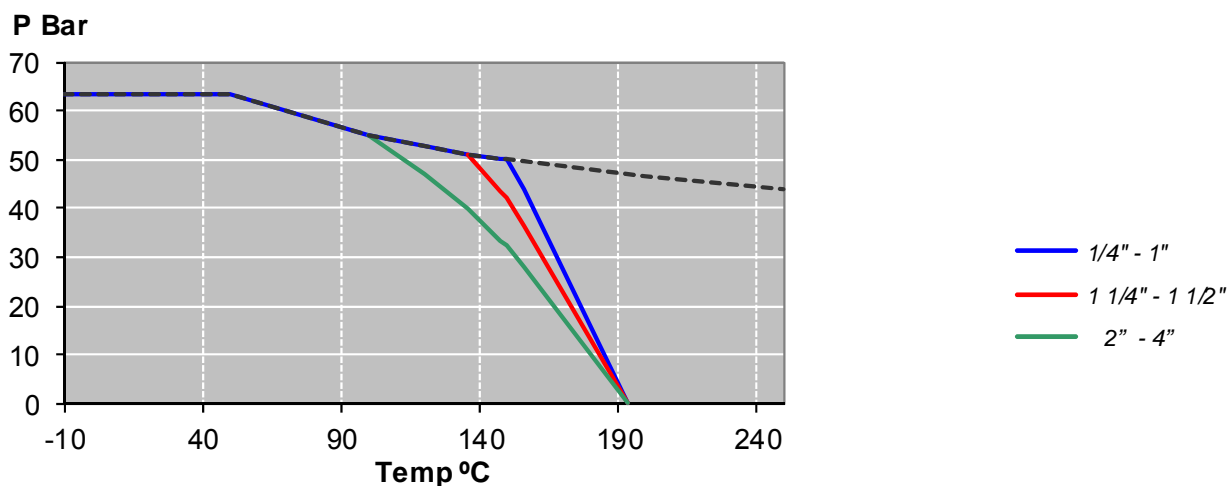
Torque Values in Nm

VALVE SIZE	AT DIFFERENTIAL PRESSURE 63 bar	VALVE SIZE	AT DIFFERENTIAL PRESSURE 63 bar
1/4" (DN 10)	4	1 1/4" (DN 32)	14
3/8" (DN 12)	4	1 1/2" (DN 40)	25
1/2" (DN 15)	5	2" (DN 50)	30
3/4" (DN 20)	8	2 1/2" (DN 65)	36
1" (DN 25)	10	3" (DN 80)	60
		4" (DN 100)	95

Kv Values in m³/h

VALVE SIZE	Kv	VALVE SIZE	Kv
1/4" (DN 10)	10,0	1 1/4" (DN 32)	190,0
3/8" (DN 12)	12,0	1 1/2" (DN 40)	275,0
1/2" (DN 15)	38,0	2" (DN 50)	480,0
3/4" (DN 20)	66,0	2 1/2" (DN 65)	797,0
1" (DN 25)	105,0	3" (DN 80)	1210,0
		4" (DN 100)	1300,0

Pressure-Temperature



TR Automatyka spółka z ograniczoną
odpowiedzialnością
spółka komandytowa

ul. Lechicka 14 , 02-156 Warszawa
tel.: +48 22 886 10 16,
fax: +48 22 846 50 37
biuro@trautomatyka.pl, www.trautomatyka.pl
NIP: 522-30-22-567,